

T15 Replacement LED Globe

- CANbus Compatible
- 15 High Brightness SMD LEDs
- Reverse Polarity Protected
- 50,000 Hours Lifespan
- 32V Over Voltage Protection
- Cool White 6500K

Function	T15 White
Voltage	12-24V
LED Qty	15
Lumens	570lm Effective
Fitting	Wedge
Draw	@12V 0.43A

570lm
Effective Lumens

360°
Beam Angle

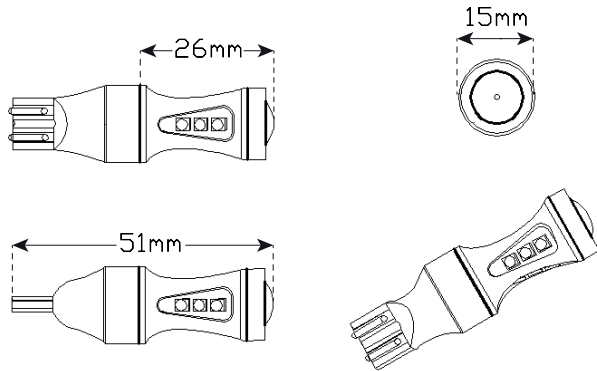
10 Year
Warranty



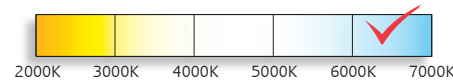
Active



Part No. T15WM



Colour temperature scale



Fitting Instructions

Fit wedge end into connector of lamp holder.



All enquiries P: (03) 9466 7075 E: led@ledtech.com.au, www.ledautolamps.com

All efforts are made to ensure all information is correct and up to date, it can be subject to change without notice. All measurements are in millimeters (mm) and are not to scale.

© All LED Technologies designs are registered throughout the world. - Current as of 18/02/2019